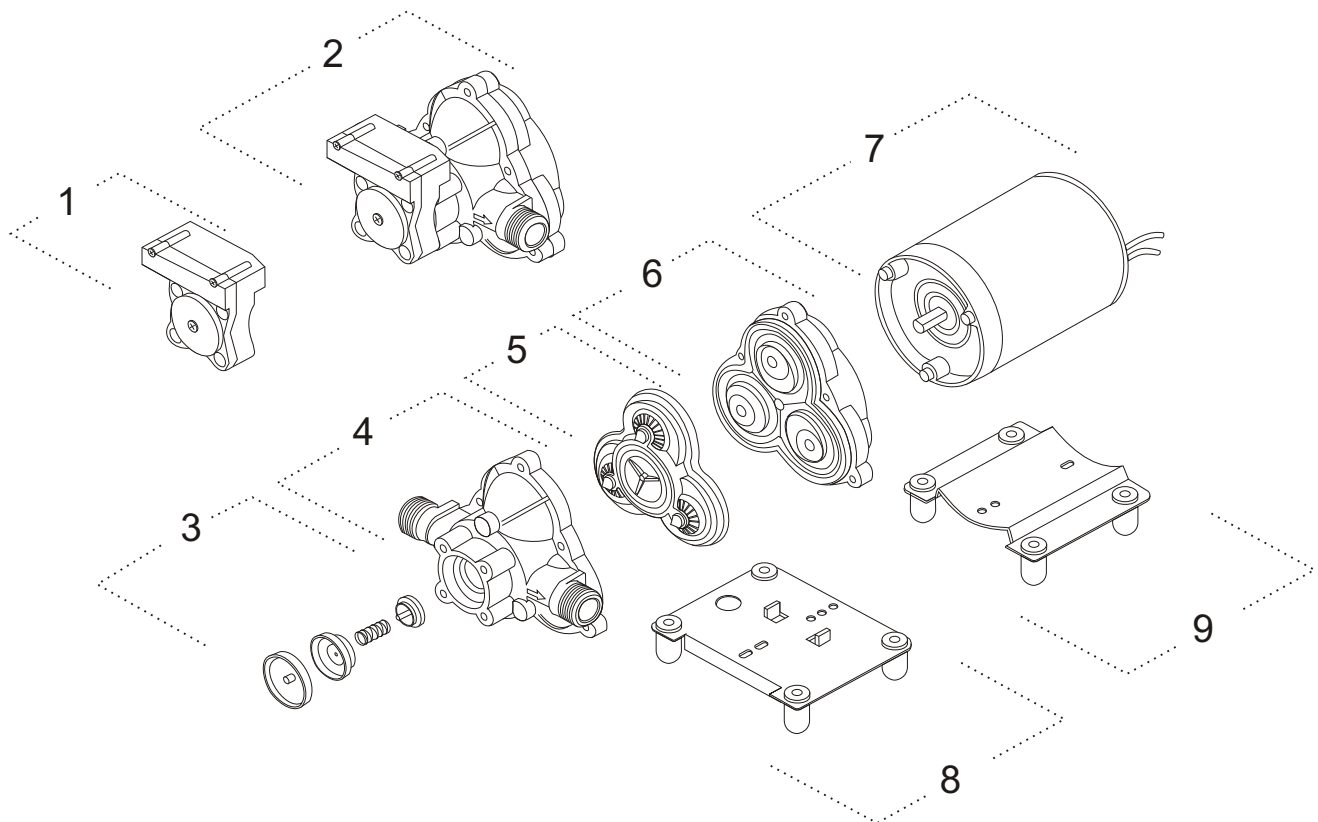
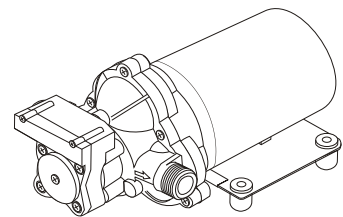


CARAVAN & MOTORHOME WATER PUMP SPARE PARTS LIST



- | | | |
|----|-----------|--|
| 1. | LALPSK001 | Switch Assembly only 16-30 psi (1.1 - 2.1 BAR) |
| | LAHPSK001 | Switch Assembly only 30-45 psi (2.1 - 3.1 BAR) |
| 2. | LAPHL001 | Complete Pump Head 16-30 psi (1.1 - 2.1 BAR) |
| | LAPHHP001 | Complete Pump Head 30-45 psi (2.1 - 3.1 BAR) |
| 3. | LACVK001 | Check Valve Assembly |
| 4. | LAUHK001 | Upper Housing |
| 5. | LAVK001 | Valve Assembly |
| 6. | LADDK001 | Diaphragm and Drive Assembly |
| | LADDK002 | Diaphragm and Drive Assembly (12 Litre Model) |
| 7. | LA12V07 | Motor - 7 Litre, 12v |
| | LA12V10 | Motor - 10 Litre, 12v |
| | LA24V10 | Motor - 10 Litre, 24v |
| | LA12V12 | Motor - 12 Litre, 12v |
| | LA24V12 | Motor - 12 Litre, 24v |
| | LA12V14 | Motor - 14 Litre, 12v |
| | LA24V14 | Motor - 14 Litre, 24v |
| 8. | LABP001 | Baseplate - Flat |
| 9. | LABPC001 | Baseplate - Cradle |



 **leisure accessories**

**BRITANNIA WORKS, HURRICANE WAY,
AIRPORT INDUSTRIAL ESTATE, NORWICH,
NR6 6EY, UNITED KINGDOM.**

Telephone: +44 (0)1603 414551

Fax : +44 (0)1603 789026

E.mail : leisureacc@aol.com

Website : www.leisureacc.com

